



## DUDEK WALL DETAILS

Number	Name
W01 – 100	Methods of insulation 1/2
W01 – 200	Methods of insulation 2/2
W02 – 100	Window opening 1/2
W02 – 200	Window opening 2/2
W02 – 300	Window opening, solid timber fillings
W03 – 100	Wall-foundation connection
W04 – 100	Timber wall filling in concrete buildings



www.dudek-group.pl  
 Tel. +48 77 42 12 599  
 ibeams@dudek-hh.pl

# DUDEK BUILDING SYSTEM

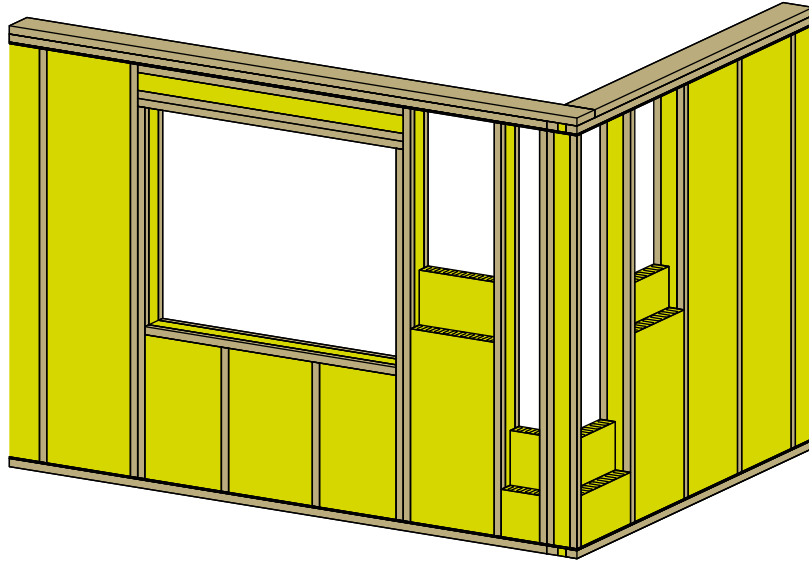
No. W01-100

## Wall Structure

Date 07.04.2016

### Methods of insulation 1/2

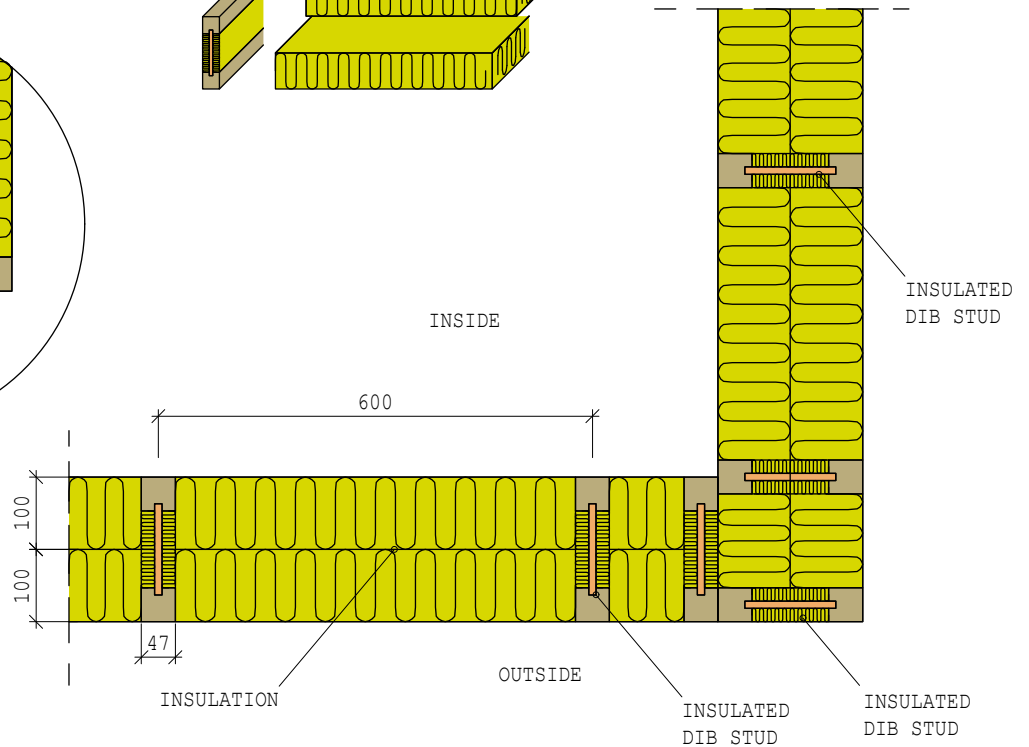
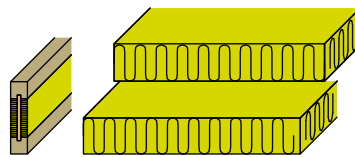
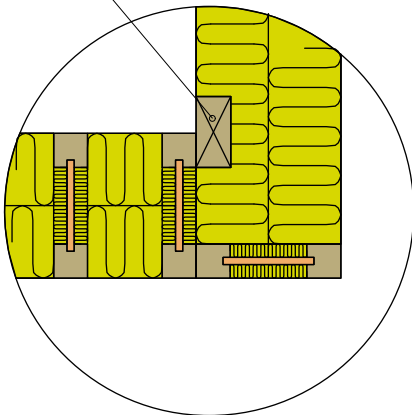
Sign



Approximate U-factor value [W/(m <sup>2</sup> K)]		
DIB stud [mm]	Insulation Lambda factor [W/(mK)]	
	0,034	0,037
200	0,19	0,20
250	0,16	0,17
300	0,13	0,14

INSULATED DIB STUD + 2x100mm INSULATION

STUD SOLID TIMBER





www.dudek-group.pl  
Tel. +48 77 42 12 599  
ibeams@dudek-hh.pl

# DUDEK BUILDING SYSTEM

No. W01-200

## Wall Structure

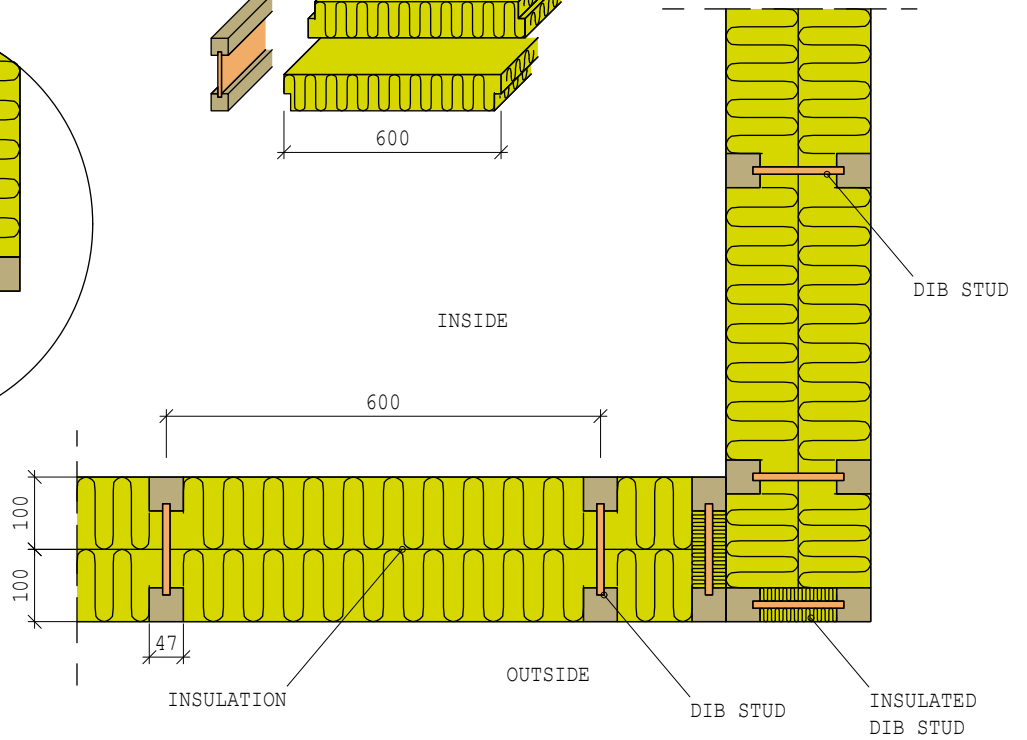
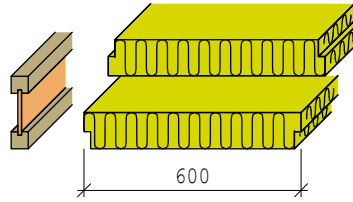
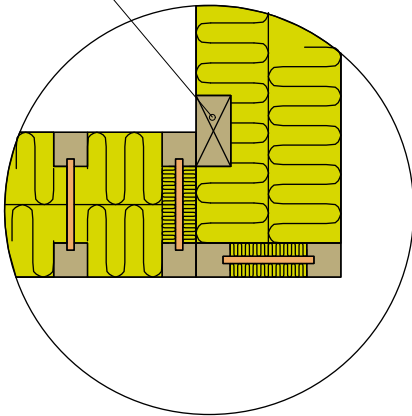
Date 07.04.2016

### Methods of insulation 2/2

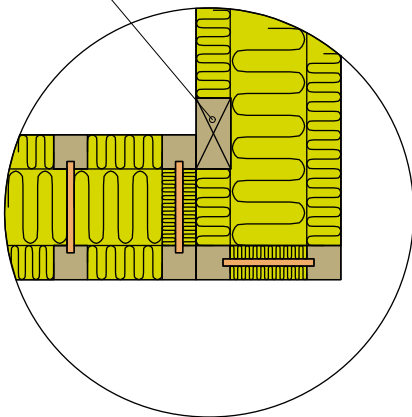
Sign

DIB STUD + 2x100mm INSULATION (I-BEAMS PROFILE)

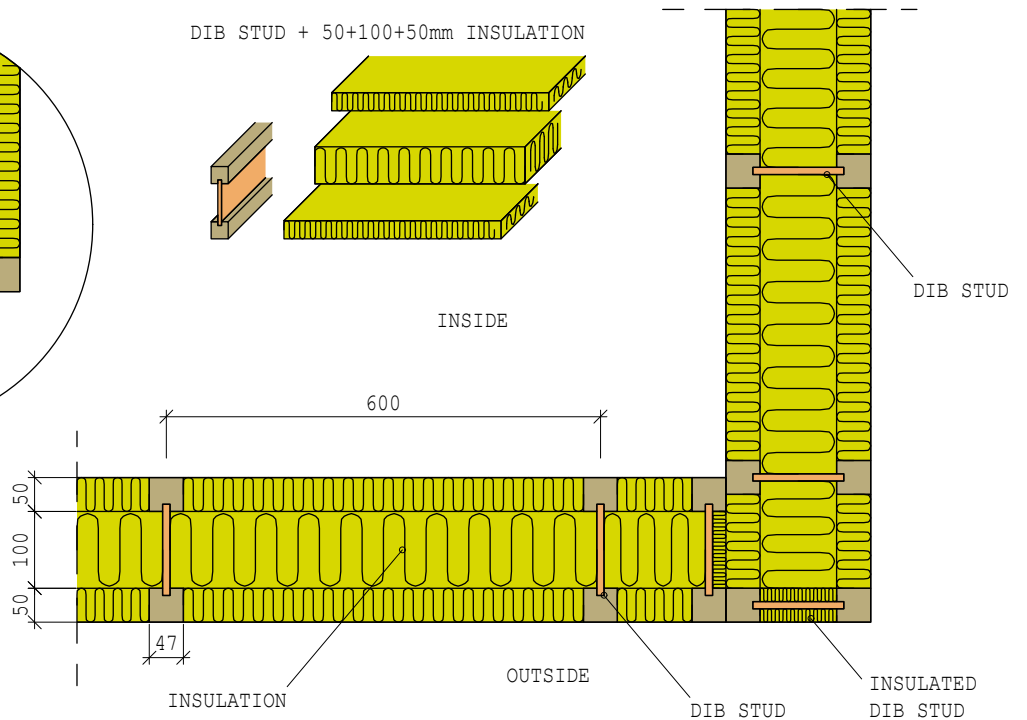
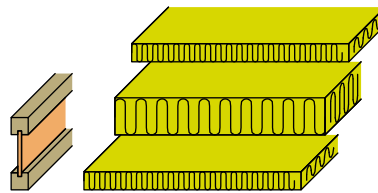
STUD SOLID TIMBER



STUD SOLID TIMBER



DIB STUD + 50+100+50mm INSULATION





www.dudek-group.pl  
Tel. +48 77 42 12 599  
ibeams@dudek-hh.pl

# DUDEK BUILDING SYSTEM

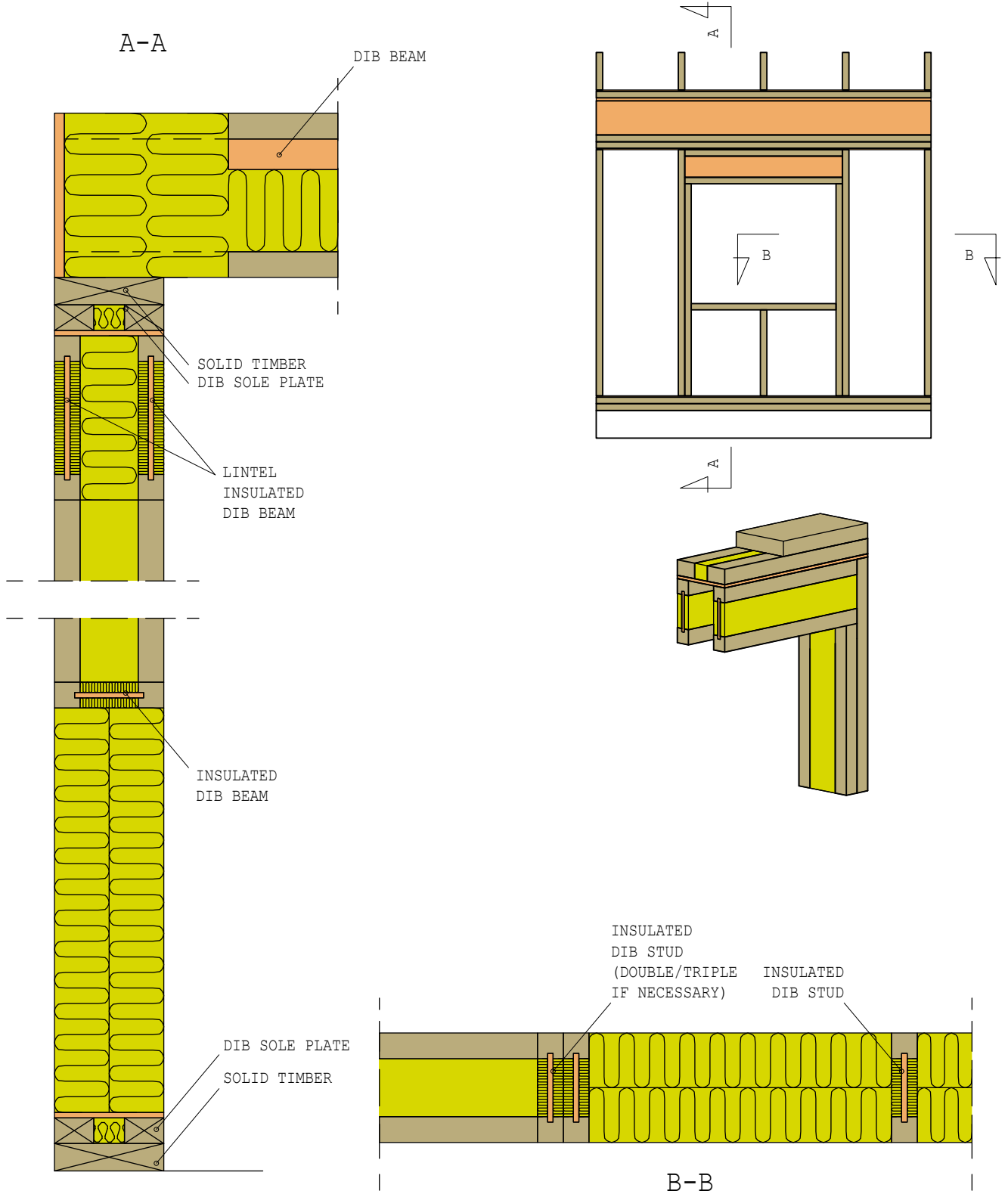
No. W02-100

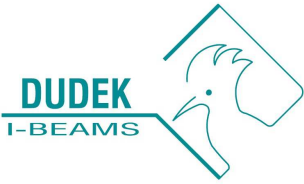
## Wall Structure

Date 07.04.2016

Window opening 1/2

Sign





www.dudek-group.pl  
Tel. +48 77 42 12 599  
ibeams@dudek-hh.pl

# DUDEK BUILDING SYSTEM

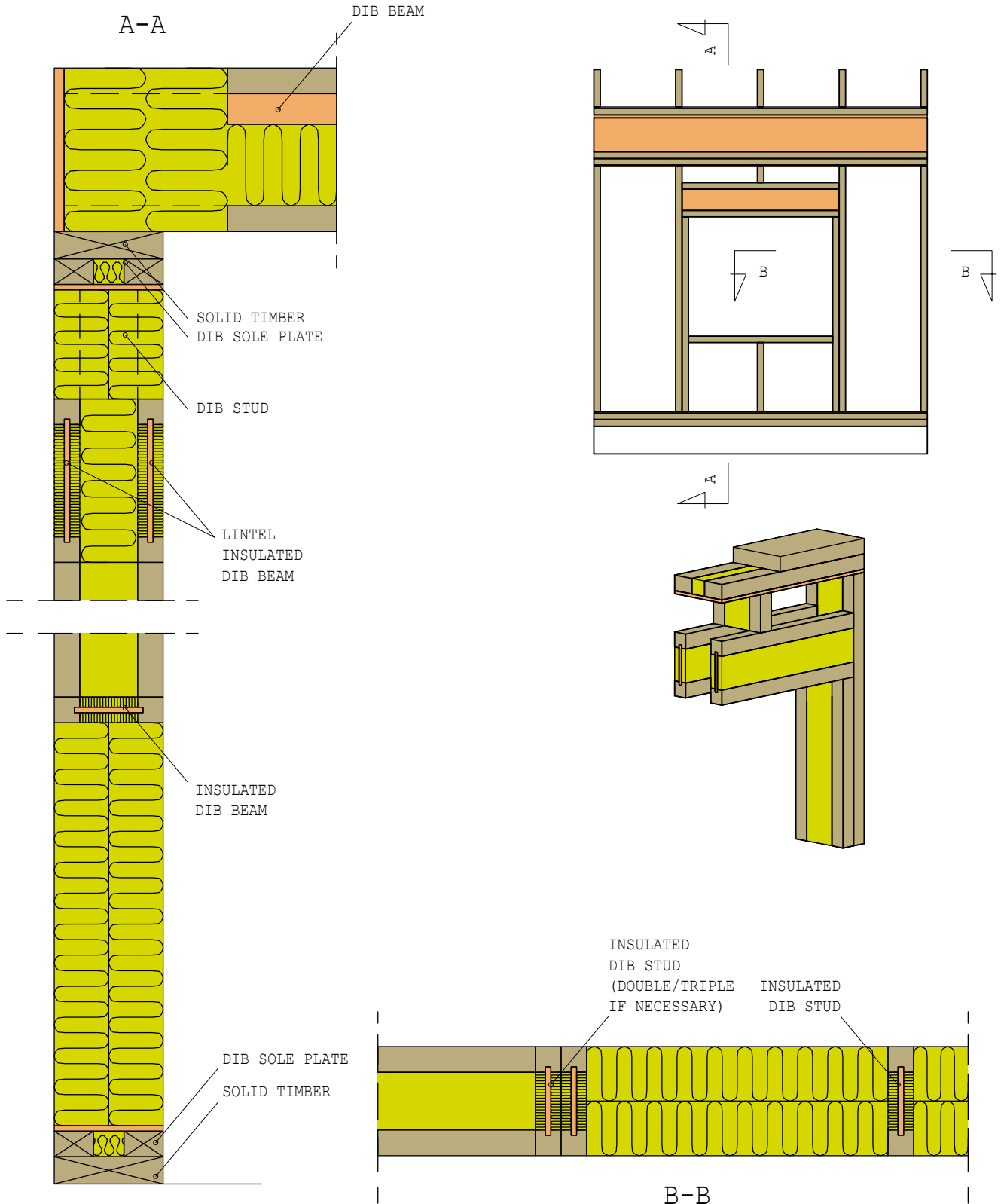
No. W02-200

## Wall Structure

Date 07.04.2016

Window opening 2/2

Sign





www.dudek-group.pl  
 Tel. +48 77 42 12 599  
 ibeams@dudek-hh.pl

# DUDEK BUILDING SYSTEM

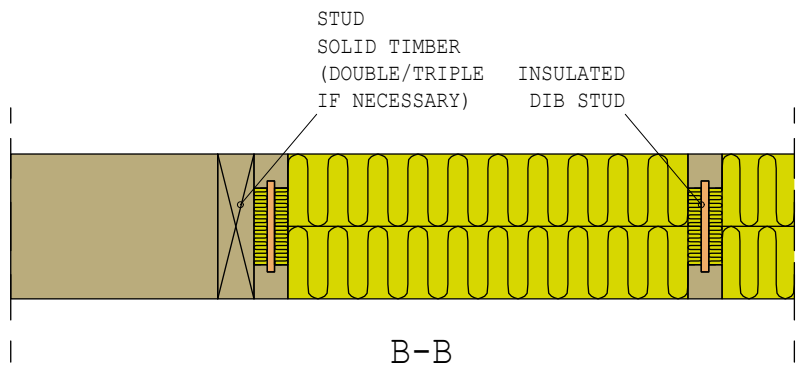
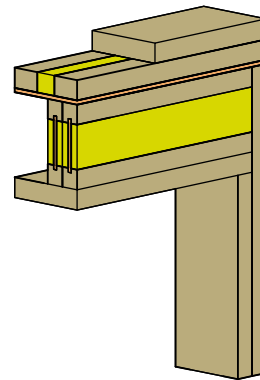
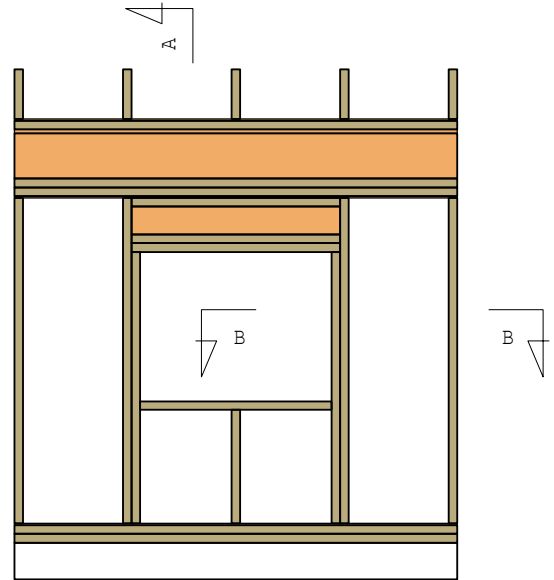
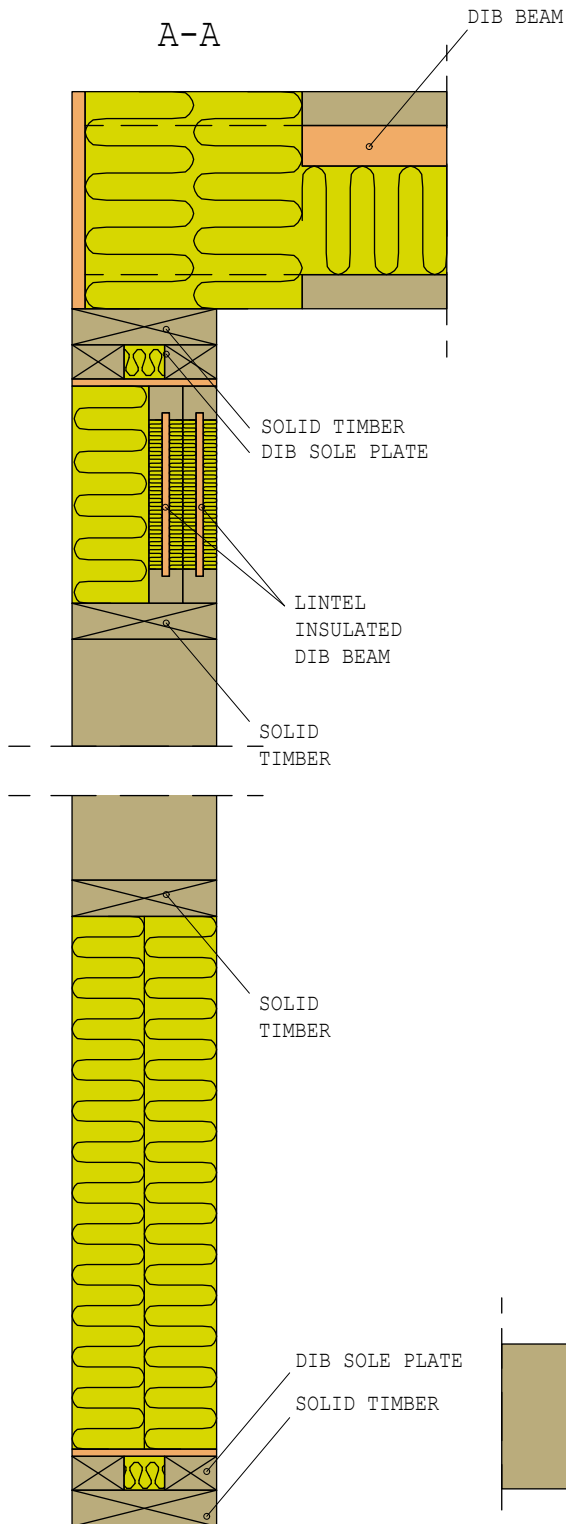
No. W02-300

## Wall Structure

Date 07.04.2016

Window opening, solid timber fillings

Sign





www.dudek-group.pl  
Tel. +48 77 42 12 599  
ibeams@dudek-hh.pl

# DUDEK BUILDING SYSTEM

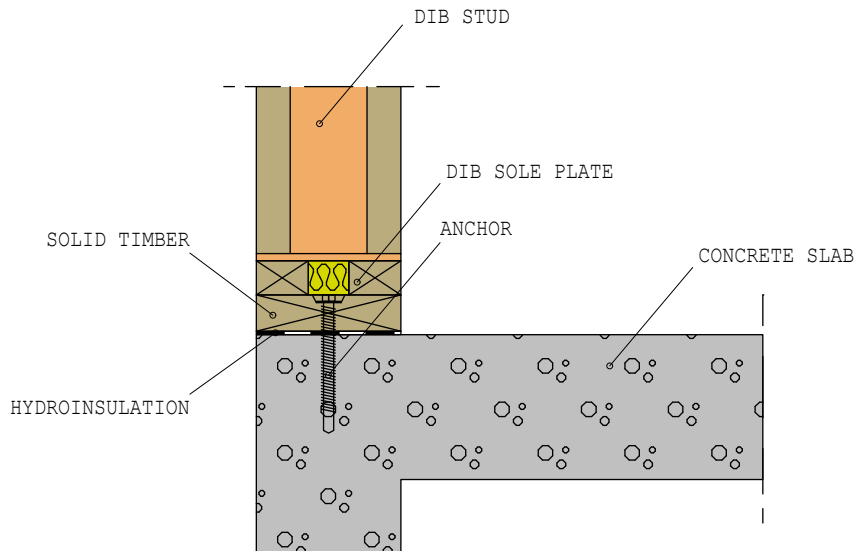
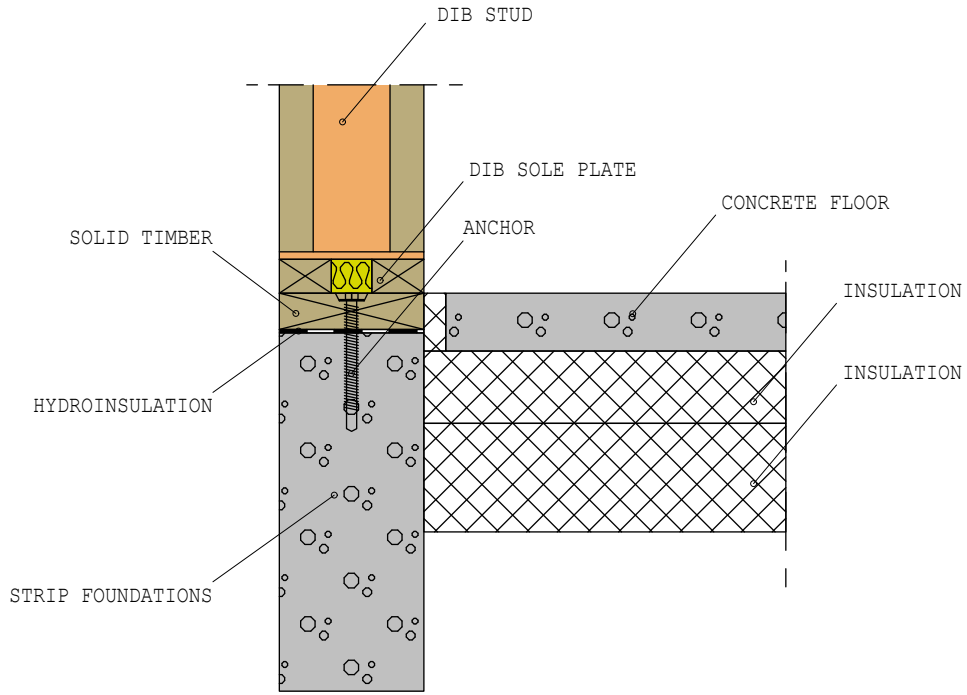
No. W03-100

## Wall Structure

Date 07.04.2016

### Wall-foundation connection

Sign





www.dudek-group.pl  
Tel. +48 77 42 12 599  
ibeams@dudek-hh.pl

# DUDEK BUILDING SYSTEM

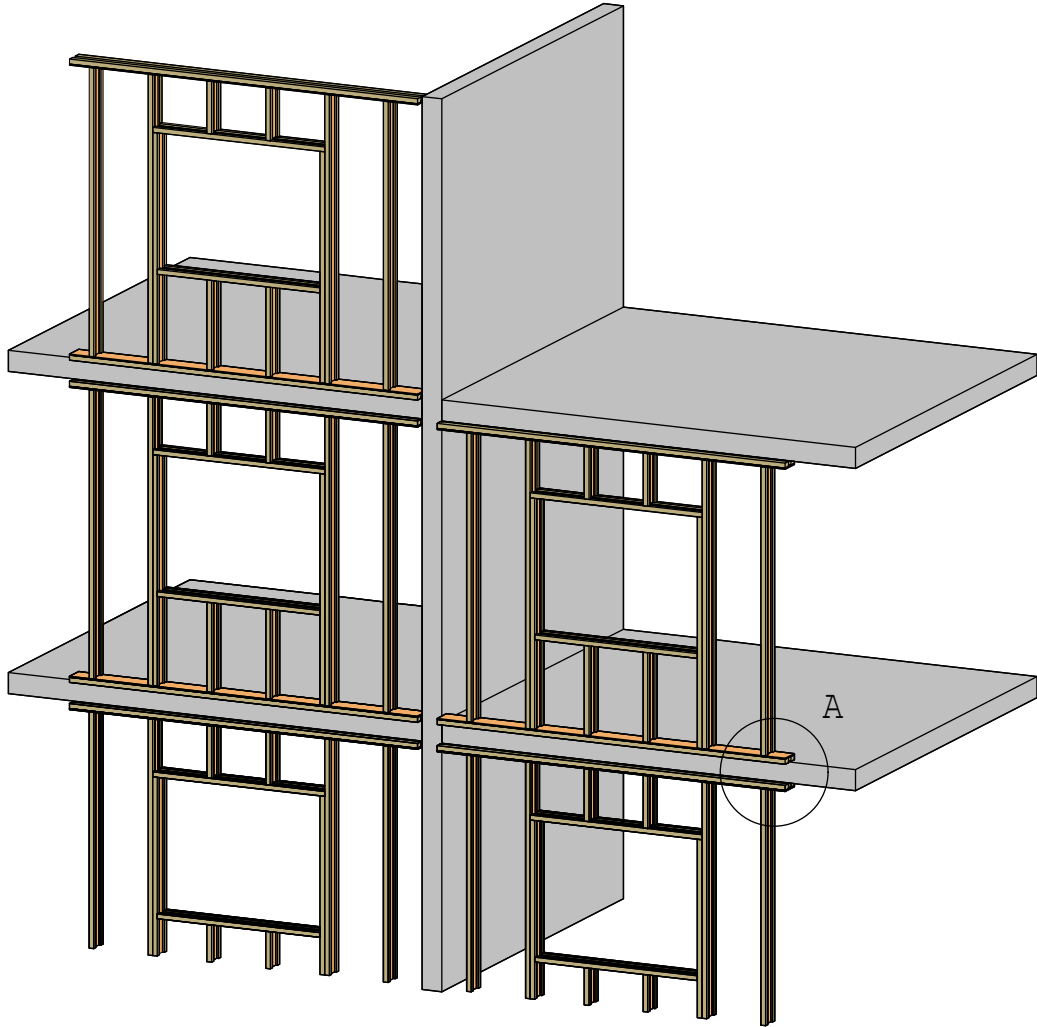
No. W04-100

## Wall Structure

Date 07.04.2016

Timber wall filling in concrete buildings

Sign



DETAIL A

